



Submittal Data Sheet

Project Name:		Approval:	
Location:		Date:	
Engineer:		Construction:	
Submitted to:		Unit #:	
Submitted by:		Drawing #:	
Reference:			

Code	2T0033000455
Factory model	US1-KFR64GW/BP2N1Y-11D1(N10)-W
Indoor code	220033004910
Indoor unit factory model	US1-KFR64G/BP2N1Y-11D1(N10)-W
Outdoor code	220038003690
Outdoor unit factory model	US1-KFR64W/BP2N1-210(N10)-W
Model	MEHS-22NiH2
Indoor	MEHS-22NiH2
Outdoor	MCHS-22NiH2



PERFORMANCE DATA

Power supply	Ph-V-Hz	208-230V~ 60Hz, 1Ph
Cooling		
Capacity	Btu/h	22000
Input	W	2340
Rated current	A	10.6
EER	Btu/w	9
SEER	Btu/w	15
Heating		
Capacity	Btu/h	22000
Input	W	2150
Rated current	A	9.7
COP	W/W	3
HSPF4		8.2
HSPF5		/
Low temperature heating capacity (2°C)	Btu/h	13715
Low temperature heating capacity (-7°C)	Btu/h	12414
MINIMUM CIRCUIT AMPACITY	A	16.0
MAX.FUSE	A	25.0
Moisture Removal	L/h	2.4

Compressor Electrical

Model		DA150S1C-20FZ
Type		Twin-rotary
Brand		GMCC
Capacity	Btu/h	15286
Input	W	1150
Rated current(RLA)	A	9.7
Locked rotor Amp(LRA)	A	----
Thermal protector		KSD301
Thermal protector position		EXTERNAL
Refrigerant oil/oil charge	ml	ESTER OIL VG74/500
Connection wiring		16AWG*4
Plug type		/

INDOOR UNIT DATA

Indoor fan motor		
Model		RPG45B
Brand		Broad-ocean
Input		80.5
RLA	A	0.4
LRA	A	0.56
Winding Resistance	Ω	118.5/78.5
Capacitor	uF	3.0
Speed(Hi/Mi/Lo)	r/min	1200 / 1100 / 900
Air flow & Noise level		
Indoor air flow (Hi/Mi/Lo)	CFM	740/680/560
Indoor noise level (Hi/Mi/Lo)	dB(A)	49/45/39

Indoor unit

Dimension(W*D*H)	inch	40.55x8.58x12.40
Packing (W*D*H)	inch	43.90x15.55x11.81
Net/Gross weight	lbs.	26.46/33.07

OUTDOOR UNIT DATA

Outdoor fan motor		
Model		YDK53-6FB(B)
Brand		Welling
Input		136/130
RLA	A	0.6
LRA	A	0.9
Winding Resistance	Ω	88.5/138
Capacitor	uF	2.5
Speed	r/min	930 / -- / 830
Air flow & Noise level		
Outdoor air flow	CFM	1590
Outdoor noise level	dB(A)	60

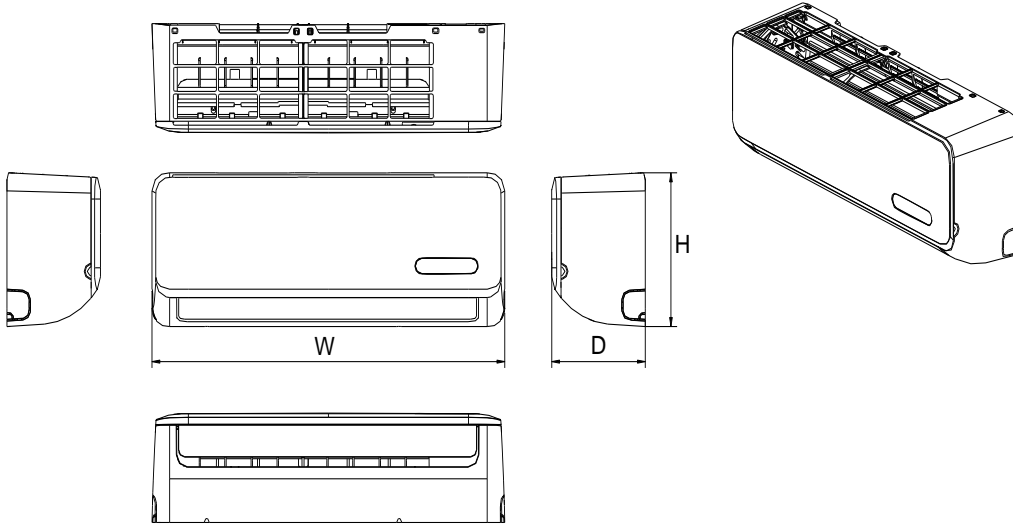
Outdoor unit

Dimension(W*D*H)	inch	33.27x12.60x27.56
Packing (W*D*H)	inch	37.99x15.55x29.72

Thermostat type		Remote Control
SYSTEM DATA		
Design pressure	MPa	550/340 PSIG
Refrigerant type	oz	R410A/56.44
Refrigerant precharge	ft	25
Additional charge per ft.	oz	0.322
Liquid side/ Gas side	mm(in)	Φ9.52/Φ15.9(3/8"/5/8")
Max. refrigerant pipe length	ft	98
Max. difference in level	ft.	66
Application area	sq.ft	347-578

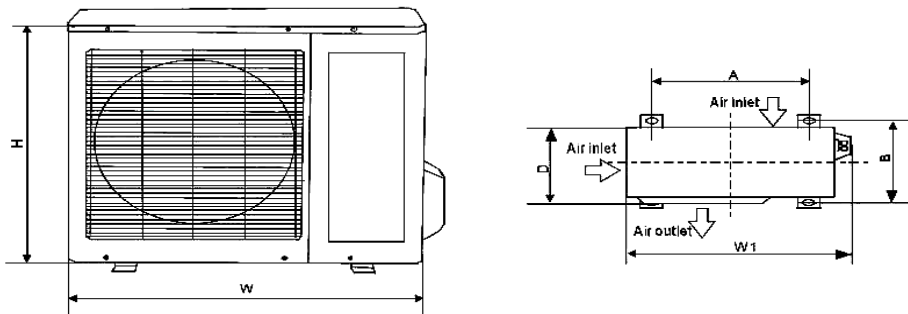
Net/Gross weight	lbs.	103.62/111.33
Operation temperature		
Indoor(cooling/ heating)	Deg. F	62~90/32~86
Outdoor(cooling/heating)	Deg. F	32~122/5~86
Outdoor(cooling/heating)-optional	Deg. F	5~122/5~86

INDOOR UNIT



Model	W (inch)	H (inch)	D (inch)
MEHS-22NiH2	40.55	8.58	12.40

OUTDOOR UNIT



Model	W (inch)	H (inch)	D (inch)	W1 (inch)	A (inch)	B (inch)
MCHS-22NiH2	33.27	12.60	27.56	35.75	22.05	13.19